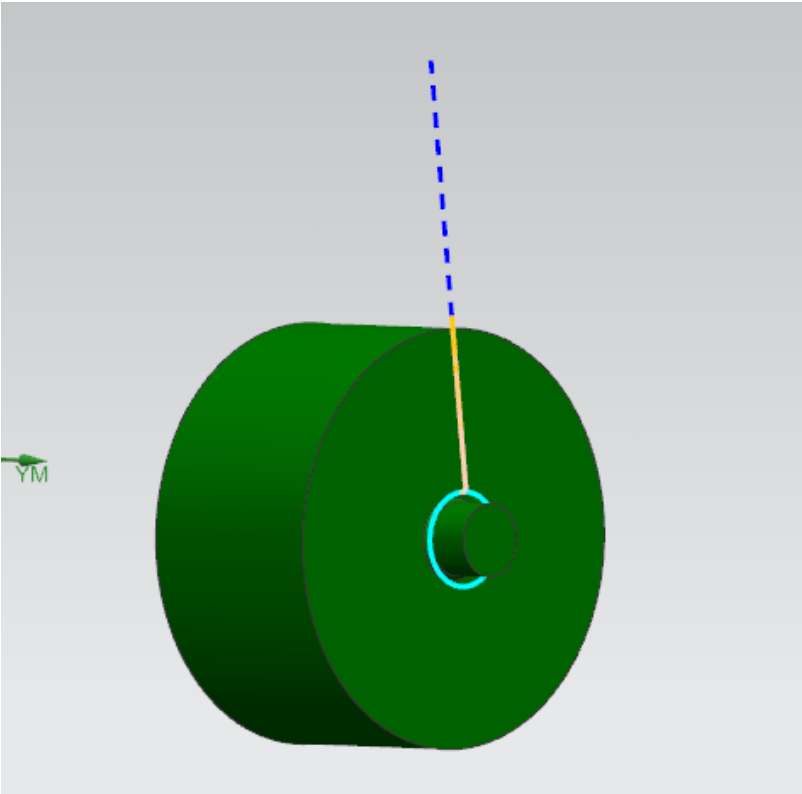
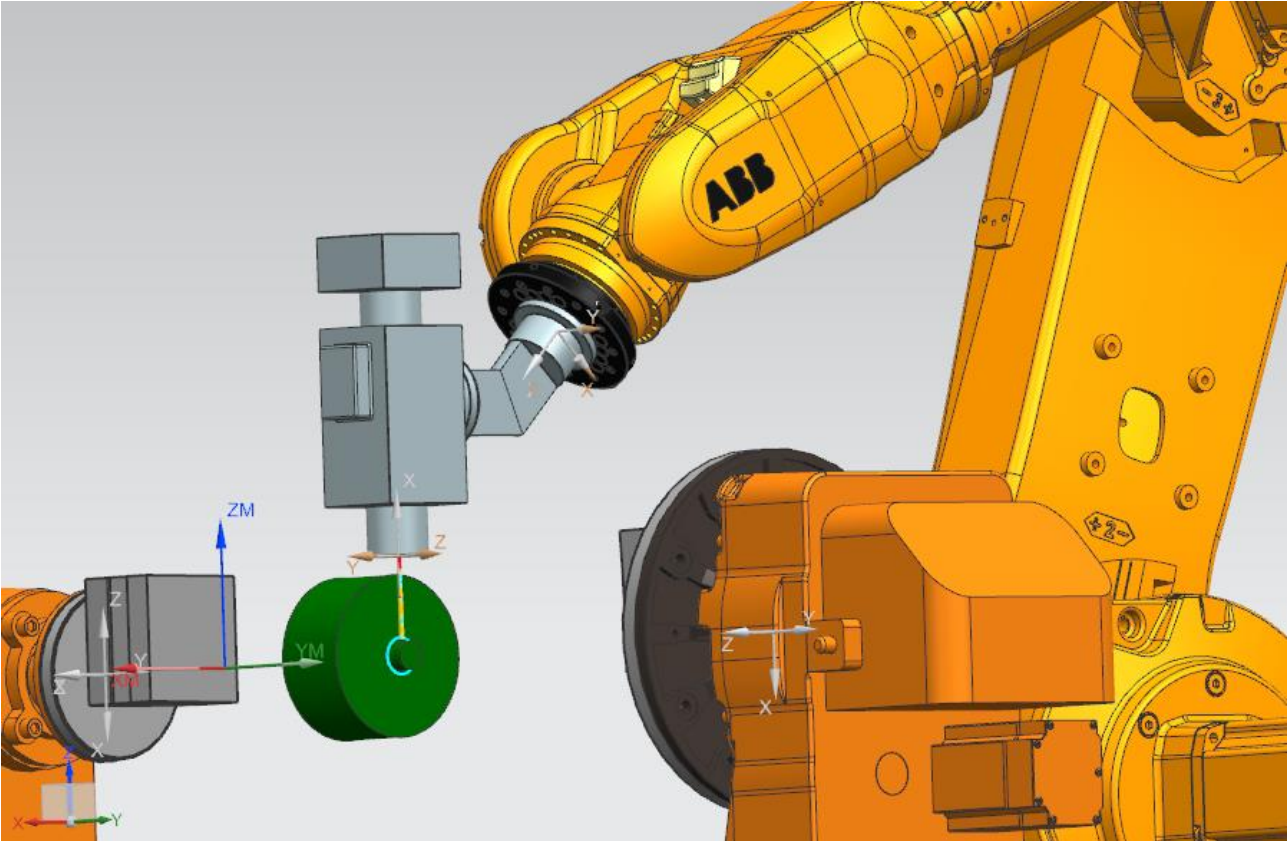


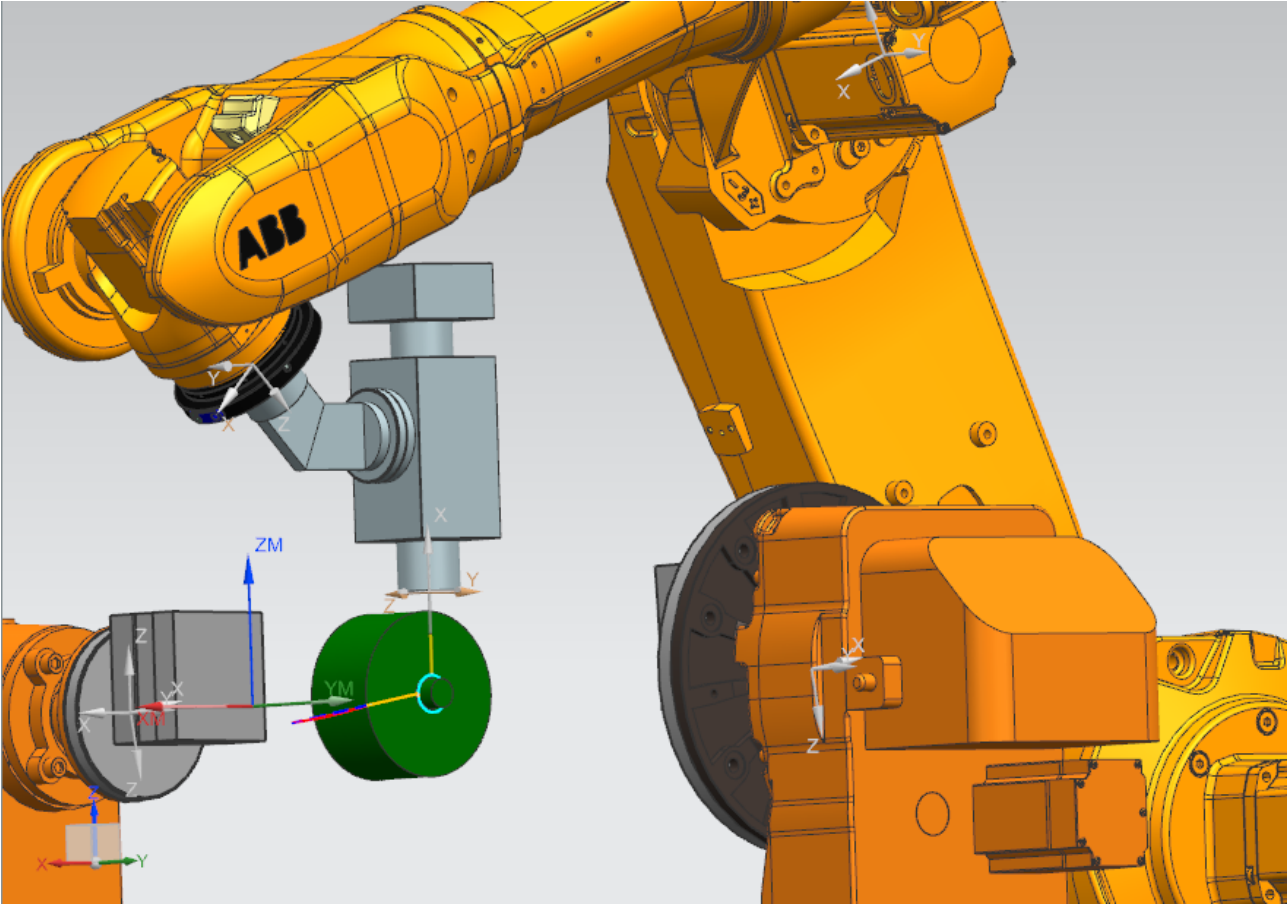
Operation:



Robot configuration with Axis Rotation up to 90°:



Axis rotation after 90° up to 270:



And the nit come to the first position.