

Siemens PLM Software

NX CAM 9.0.3: Minimum cut length for Area Milling

Eliminating short cutting segments in steep areas.

About NX CAM

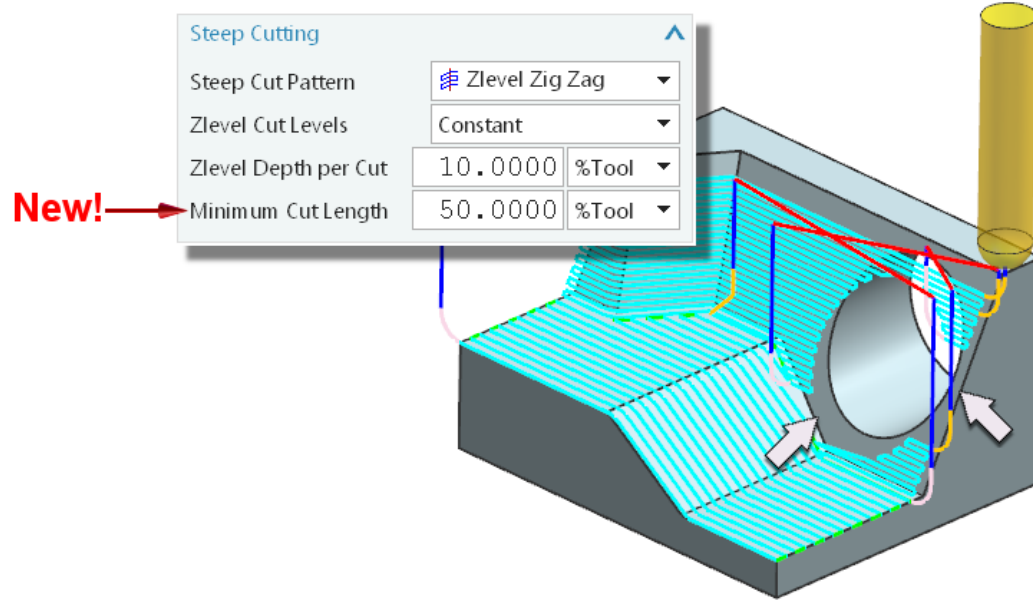
NX™ CAM software has helped many of the world's leading manufacturers and job shops produce better parts faster. You can also achieve similar benefits by making use of the unique advantages NX CAM offers.

This is one of many hands-on demonstrations designed to introduce you to the powerful capabilities in NX CAM 9.0.3. In order to run this demonstration, you will need access to NX CAM 9.0.3.

Visit the [NX Manufacturing Forum](#) to learn more, ask questions, and share comments about NX CAM.

Hands-on Demonstration: Minimum cut length for Area Milling

You can now specify a minimum cut length for steep cutting in Area Milling operations. This allows you to remove very short cutting segments from the tool path.

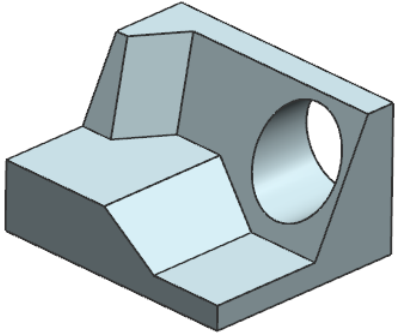


Prerequisites:


1. You will need access to **NX 9.0.3** in order to run this demonstration.
2. If you haven't done so already, download and unzip **minimum_cut_length_for_area_milling.7z**.

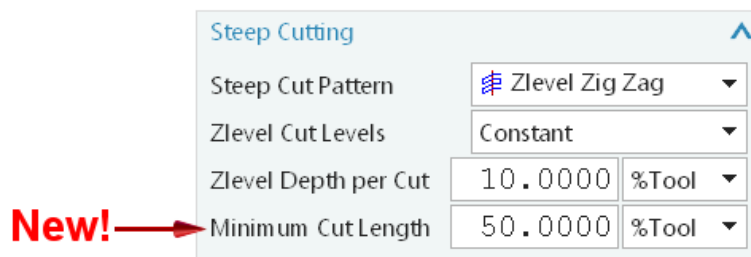
Demo:

1. Open **minimum_cut_length.prt** in NX.



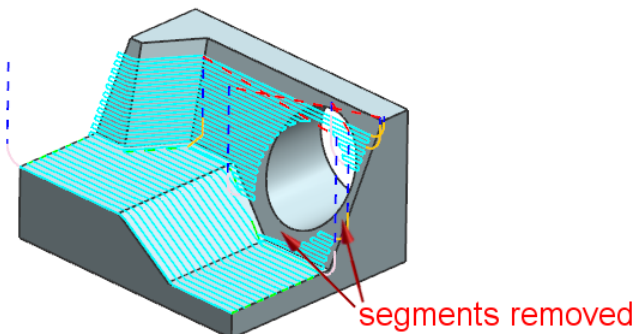
2. In the Program Order View of the Operation Navigator, double-click **CONTOUR_AREA** to edit the operation.


3. In the Drive Method section of the dialog box, click **Edit** . Minimum Cut Length is new when cutting steep areas using Area Milling Drive Method.



This option eliminates tool path segments shorter than the specified value.

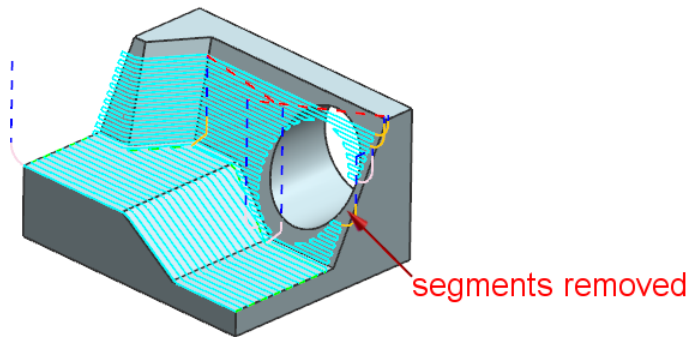
4. Click **Cancel**.
5. Click **Replay**.
Tool Path segments with a length less than 50% of the tool diameter have been removed.



- In the Drive Method section of the dialog box, click **Edit** .
- Type **35.000** in the **Minimum Cut Length** box.



- Click **OK**.
- Click **Generate**.
Tool Path segments with a length less than 35% of the tool diameter have been removed.



- Click **OK** to finish editing the operation.
- Close the part file without saving.

Siemens Industry Software

Headquarters

Granite Park One
5800 Granite Parkway
Suite 600
Plano, TX 75024
USA
+1 972 987 3000

Americas

Granite Park One
5800 Granite Parkway
Suite 600
Plano, TX 75024
USA
+1 314 264 8499

Europe

Stephenson House
Sir William Siemens Square
Frimley, Camberley
Surrey, GU16 8QD
+44 (0) 1276 413200

Asia-Pacific

Suites 4301-4302, 43/F
AIA Kowloon Tower, Landmark East
100 How Ming Street
Kwun Tong, Kowloon
Hong Kong
+852 2230 3308

About Siemens PLM Software

Siemens PLM Software, a business unit of the Siemens Industry Automation Division, is a leading global provider of product lifecycle management (PLM) software and services with seven million licensed seats and more than 71,000 customers worldwide. Headquartered in Plano, Texas, Siemens PLM Software works collaboratively with companies to deliver open solutions that help them turn more ideas into successful products. For more information on Siemens PLM Software products and services, visit www.siemens.com/plm.

© 2014 Siemens Product Lifecycle Management Software Inc. Siemens and the Siemens logo are registered trademarks of Siemens AG. D-Cubed, Femap, Geolus, GO PLM, I-deas, Insight, JT, NX, Parasolid, Solid Edge, Teamcenter, Tecnomatix and Velocity Series are trademarks or registered trademarks of Siemens Product Lifecycle Management Software Inc. or its subsidiaries in the United States and in other countries. All other logos, trademarks, registered trademarks or service marks used herein are the property of their respective holders.

11/14