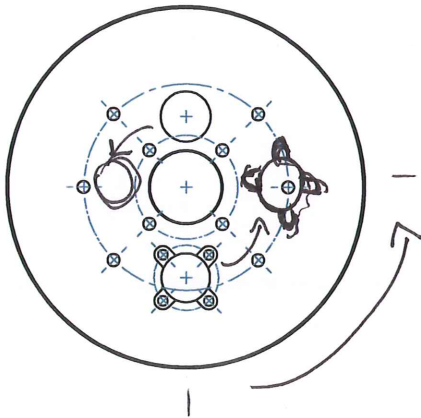
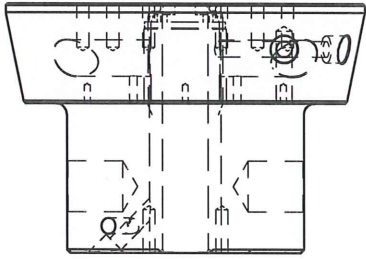
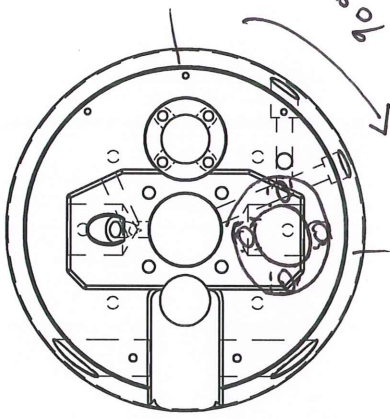
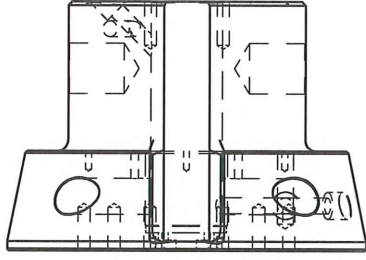
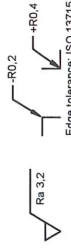


REVISION HISTORY		DATE	APPROVED
REV	DESCRIPTION		



Rotate -90°

How to "rotate" the views 90°



Material:	Aluminum, 6026-T6	Default tolerance:	ISO 2768 m	Scale:	1:2	Drawn:	Kenneth
Project/customer name:	78172 (011-3040)	Title:	Cyl.rer	Edge tolerance:	ISO 13715	Approved:	KMP
						Weight:	4,795 kg
						Date:	25-09-2015
						Rev:	0
						Sheet:	1/1
						K:\Drawing\Part Drawing\Tube\0040\011-3040.dft	