



SIEMENS



#SEU15



Siemens PLM Software

# Welcome to Solid Edge University

Design Intent &  
Solution Manager Dissected

Christopher Dayton – Solid Edge Product Designer

# Agenda



- Welcome and Introduction
- Synchronous Technology
  - Design Intent - Live Rules
  - Solution Manger
- Demo and Exploration
- Questions

## Welcome! – A Brief Introduction

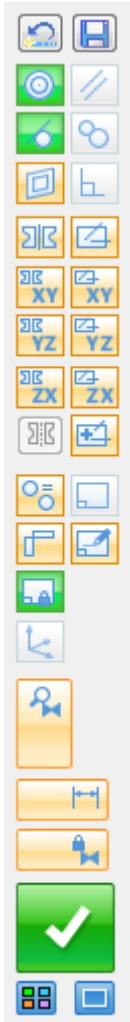
**Hello! My name is Chris Dayton.  
Here's a little information about me:**

- I've been with Siemens for 9 years. I'm in the Solid Edge Planning Department.
- I'm a second generation CAD-man. I played with the old Intergraph Clipper Stations when I was a kid . . . so I've seen the technology develop.
- I have a Mechanical Engineering Degree from just across the street, at Georgia Tech . . . and an MBA.
- Among other places, I've worked for Siemens, NASA, BellSouth, Stanley Bostitch and even a fireworks plant.





# Synchronous \*means\* “Live Rules” Which \*means\* Design Intent

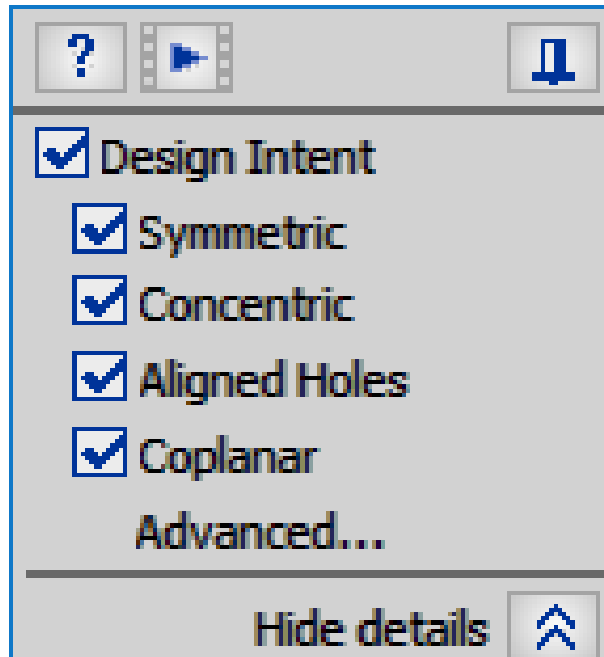


## Live Rules constitute the “smarts” that makes Synchronous work.

- The heart of Synchronous is built upon recognizing and maintaining “coincidences” in a model, AS design intent *captured by the model*.
  - Tangency isn’t a coincidence.
  - Co-planar isn’t usually a coincidence.
  - Co-axial isn’t usually a coincidence.
  - Parallel and Perpendicular aren’t usually a coincidences.
  - Symmetry isn’t usually a coincidence.
  - Linearity of layout of features aren’t often coincidences.
  - A face being on a Base Ref Plane often isn’t a coincidence.
  - Locked Dimensions aren’t a coincidence.
  - Persisted Relationships aren’t a coincidence.
- Live Rules are how you maintain those “coincidences” . . . Or not.
- Solution Manager is a tool for managing Live Rules.

# Design Intent

We've worked to Simplify the Live Rules User Interface even more with the introduction of Design Intent.



- Design Intent controls all the same model behavior but with a simplified Dashboard.
- We spell out the constraints.
- You can quickly turn off all the live rules or specific ones.
- You are able to use previous workflows if you prefer.

**Let's do a little demonstration.**

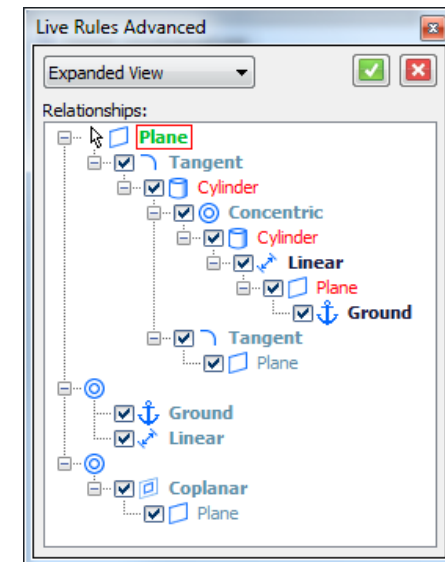
## Managing Live Rules

Most of us are getting familiar with the broad concept of Live Rules, but haven't been getting into the granular control . . . Which is how you get precisely the edit you desire.



Most are beginning to understand Live Rules

- But most people haven't really gotten comfortable with the details.
- Prior to ST5, granular control was only available through "Advanced Live Rules"
- Experience showed only our Developers where having much luck with this interface . . .



**So, What is the better way to work with the intricacies of Live Rules?**

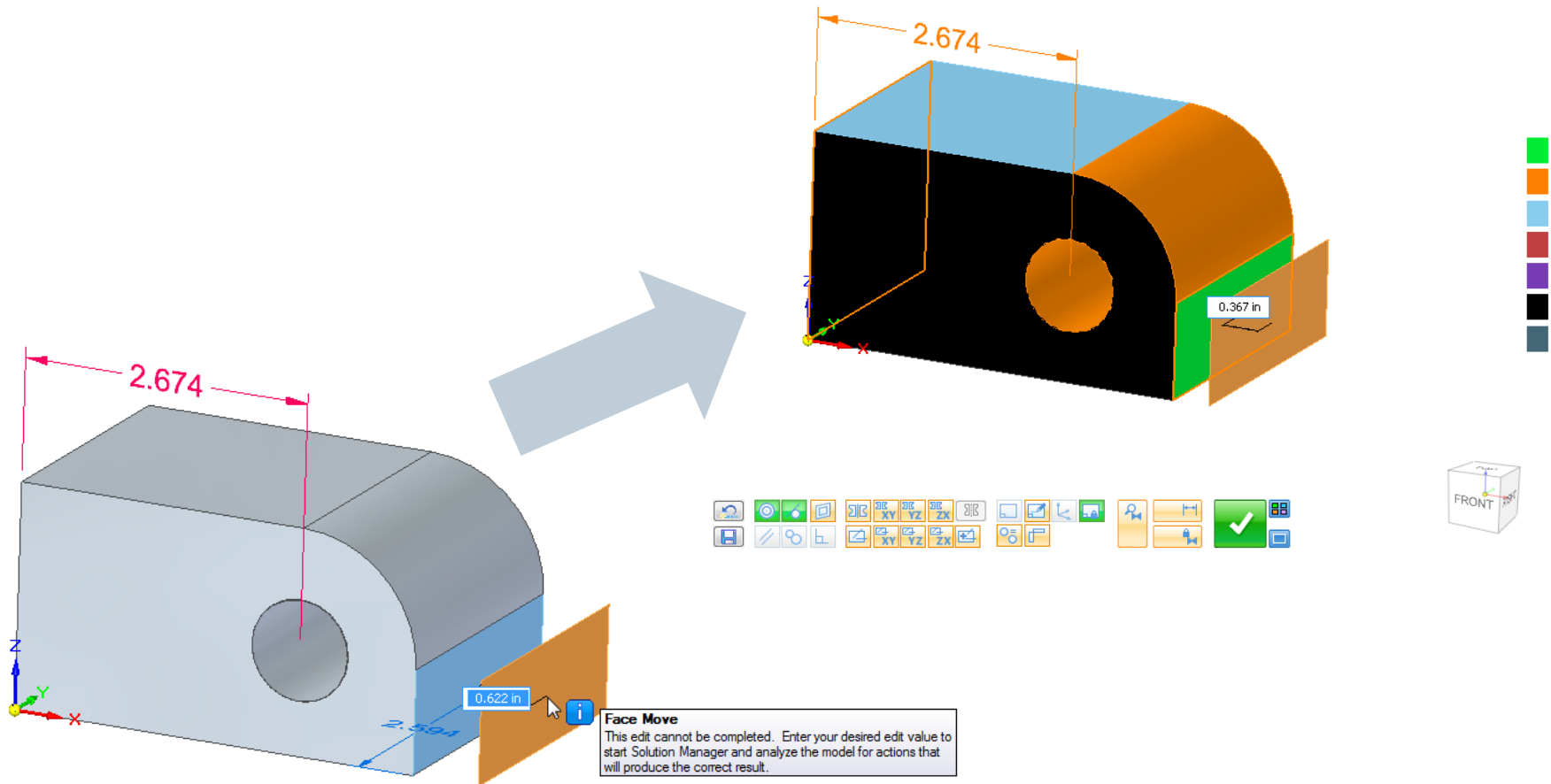


**Solution Manager is designed to be an intuitive and comprehensive way to “unjam” a locked model . . . Or how to get precisely the edit you desire.**

**But How do I “get there”, and how do I work with it?**

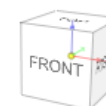
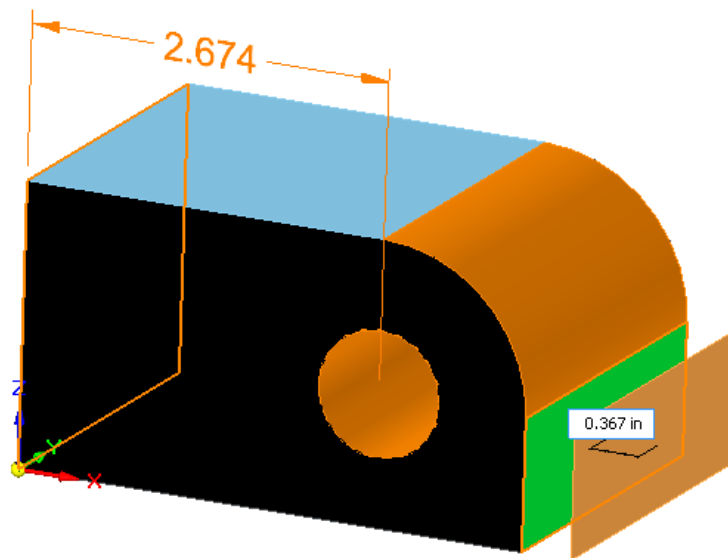
# Launching Solution Manager is simple

All you have to do is try and commit an edit which isn't working.





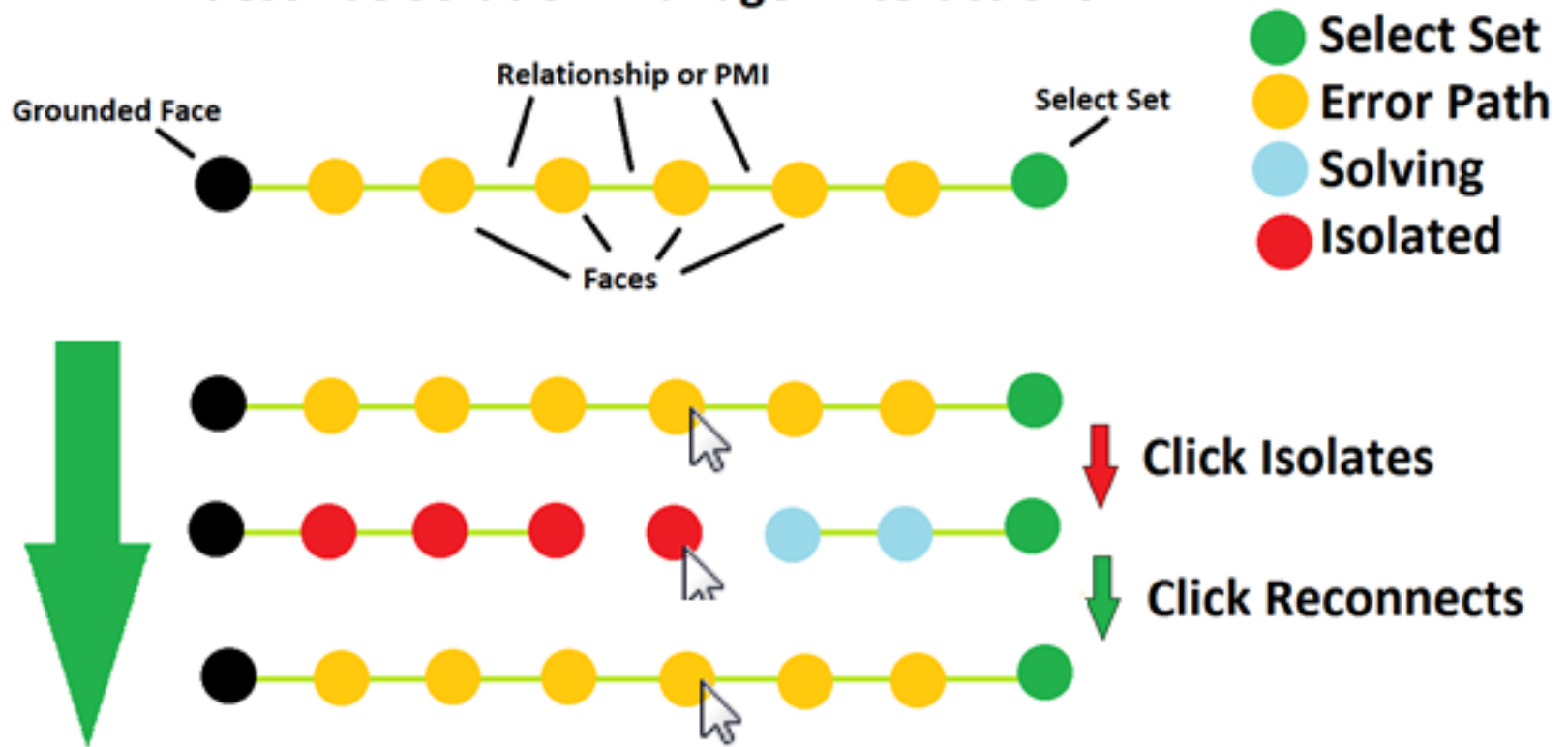
Whoa! What just happened?



Let me show you. . . . With a Demo.

# Isolating and Reconnecting . . .

This is the notation we've been using to describe Solution Manager interactions



Ask me about "Sever the head" . . .

# Solution Manager

## Recap of what Solution Manager:

- “V” to launch.
- Ghosts the “irrelevant” parts of the model.
- Control Live Rules as you normally would.
  - Hovering over Live Rule will show relationships in model.
- Big Switches
  - Turn OFF Live Rules
  - Turn OFF locked dimensions
  - Turn OFF Persisted Relationships
- Left Mouse Button Click to remove/isolate face.
- Left Mouse Button Click to Toggle individual dimensions.
- Right Mouse Button Click to explore and have granular control.
  - Individual Face or whole “class”
- Auto-Solution Manager.
- Controls/Legend

# Questions?



# Contact



**Christopher Dayton**  
Solid Edge Product Designer  
Siemens PLM

675 Discovery Drive  
Suite 100  
Huntsville, AL 35806

Phone: (256) 705-2592  
Fax: (256) 705-2695

E-mail:  
[chris.dayton@siemens.com](mailto:chris.dayton@siemens.com)

**Realize innovation.**